

CTX Series

MXP10G-X2G16

Flexible Dual 10G Muxponder

Key Feature

- Muxponder any data rate traffic to 10G traffic
- 16 SFP ports, support any traffic 125Mbps to 5Gbps transparent, total max 20G traffic
- Support CPRI application, data rate :4.9152Gb/s, 3.072 Gb/s,2.4576Gb/s,1.2288 Gb/s, 0.6144 Gb/s.
- Line side 2xXFP ports, support OC192/10G Lan/OTU 2/OTU2e
- Line side XFP port supports Tri-FEC for maximum network interoperability.
- With different software configuration, one card can work as two 10G Muxponders or one 10G Muxpodner with two 10G ports for network protection etc.
- Can be managed by CEO GUI(Graphics User Interface), integrated with management card

Typical Application

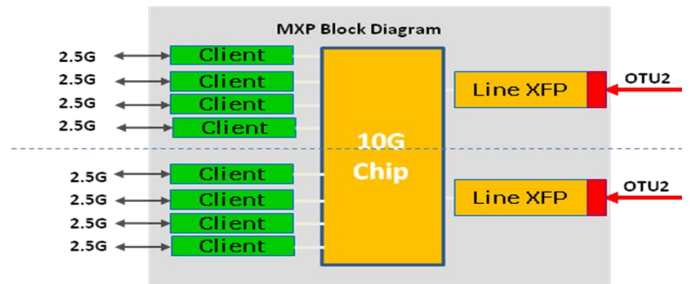
Danriver’s 10G Muxponder is a high capacity function card for multi-service provisioning platform (MSPP). One card is with 16 SFP ports and two XFP ports; max can support 20G traffic.

These SFP ports support any-service any-port configurability, can be configured to support OTU 1, OC3/12/48(STM-1/4/16), 100/1000Mbps full duplex Ethernet, Fibre Channel FC-15/25/50/100/200/400, FICON and ESCON, bit transponder clients include DVB-ASI, SD-SDI, HD-SDI, DV6000 etc. Two XFP port can be independently configured for OC192, 10G Lan, OTU 2 or OTU 2e, can work independent to support two 10G traffic or configure as one working port and one protection port for one 10G traffic.

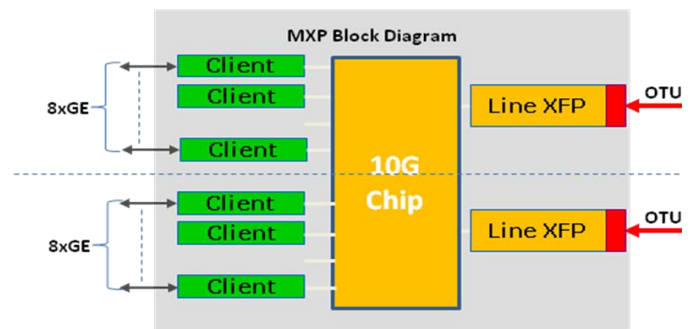


Fig1: MXP10G Muxponder

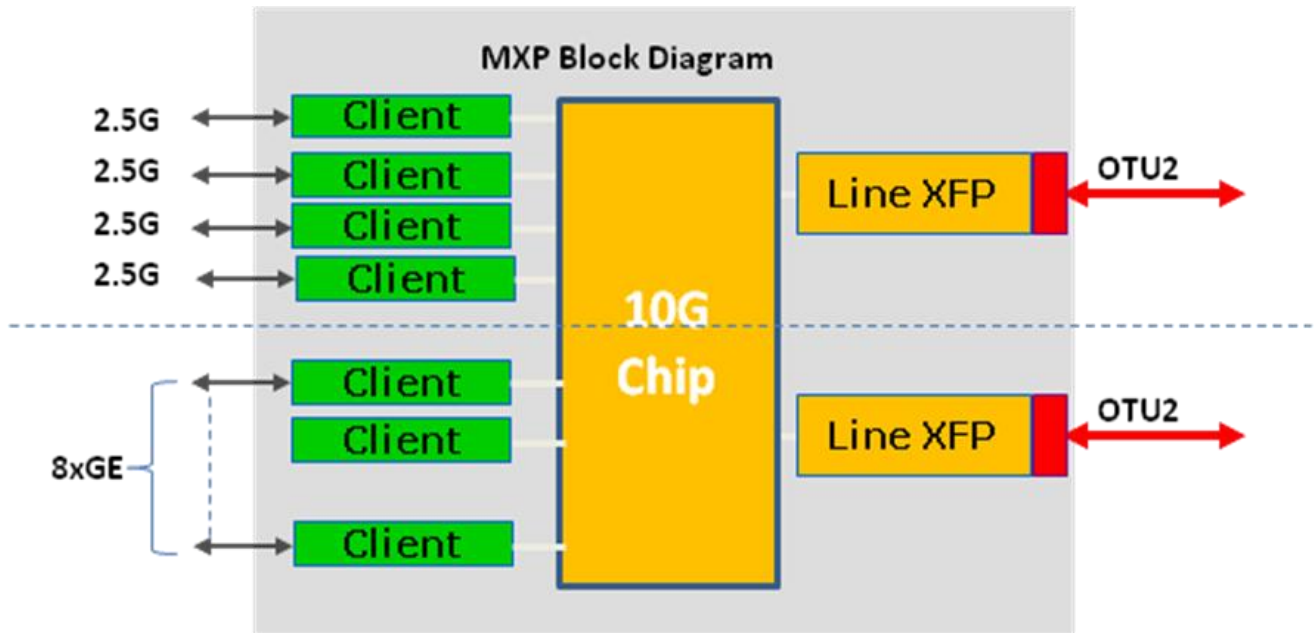
● Two 4x2.5G Muxponders



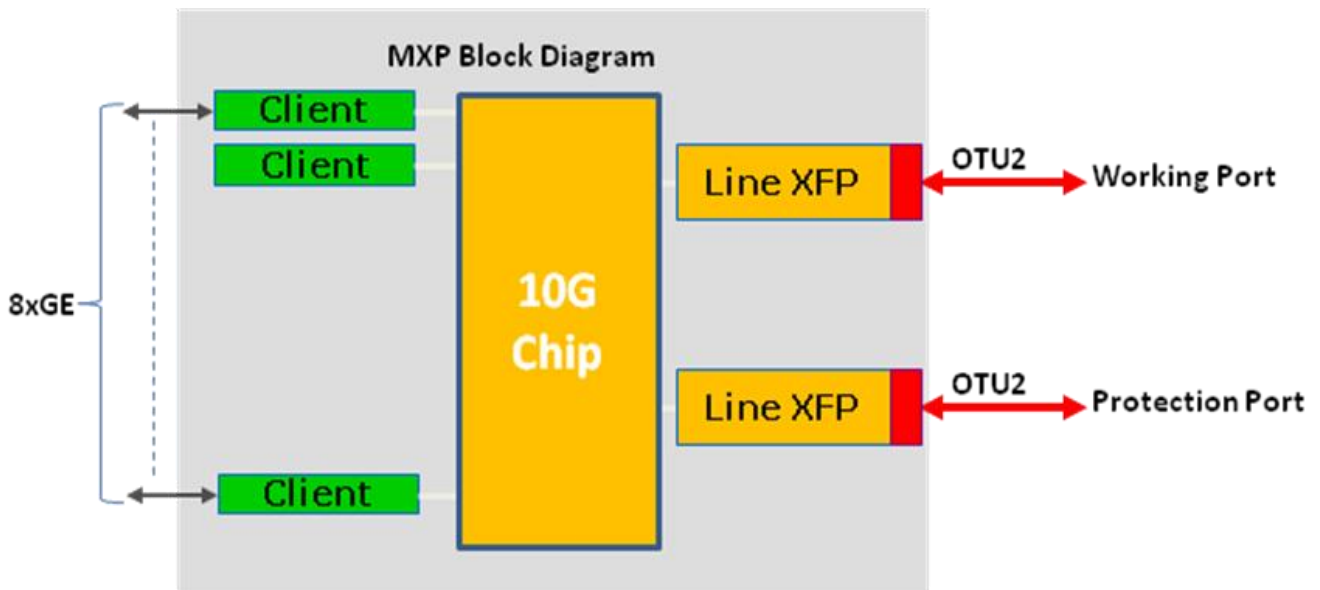
● Two 8xGE Muxponders



- One 4x2.5G and one 8xGE Muxponders



- One 8xGE Muxponder with line side 1+1 protection



Technical Information

Line side	
Port Density	2 x XFP ports, hot-pluggable
Data Rate	9.95Gbps-11.1Gbps
Protocol	OC192/ 10G LAN/ OTU 2 / OTU 2e
Wavelength or Distance (<80km)	Choose XFP separately
Distance >80km	Require Optical Amplifier and/or Dispersion Compensation
Client side	
Port Density	16x SFP ports, hot-pluggable
Data Rate	125Mbps-5Gbps
Protocols	STM-1/4/16; OC-3/12/48
	Ethernet 100/1000Mbps
	Fiber channel FC-15/25/50/100/200/400
	Bit transparent clients: DVB-ASI, SD-SDI, HD-SDI, DV6000
	CPRI data rate :4.9152Gb/s,3.072Gb/s,2.4576Gb/s,1.2288 Gb/s, 0.6144 Gb/s.
Wavelength or Distance (<80km)	Choose SFP separately
Distance >80km	Require Optical Amplifier and/or Dispersion Compensation
Management	
Ethernet port	10/100Base-T
Local management	RS232
Operating Conditions	
Operation Temperature	- 10 to + 60 °C
Storage Temperature	-40 to +70°C
Humidity	5 to 85% non-condensing
Mechanical	
1RU 19" Rackmount	44x 437 x 250 (H x W x D, mm)
Power Supply	
Power Type	Dual -48V DC Redundancy
Power Consumption	<80W